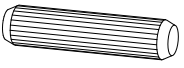


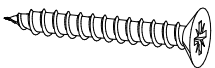
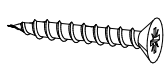
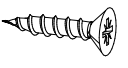

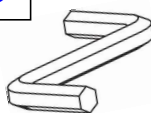
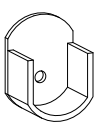

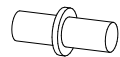
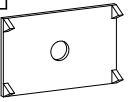

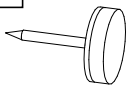

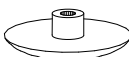

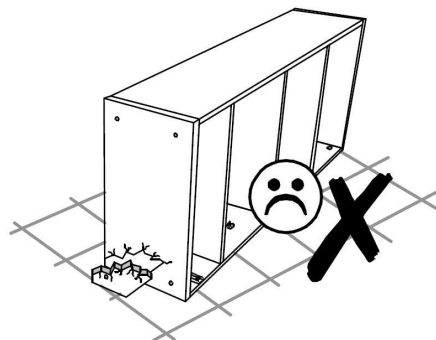
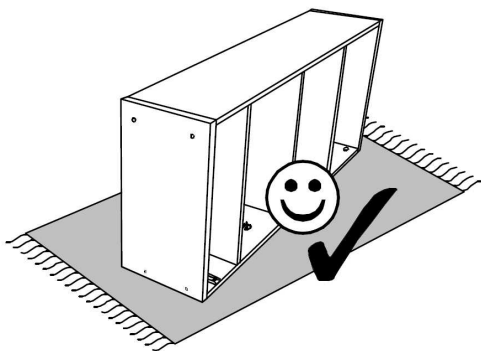
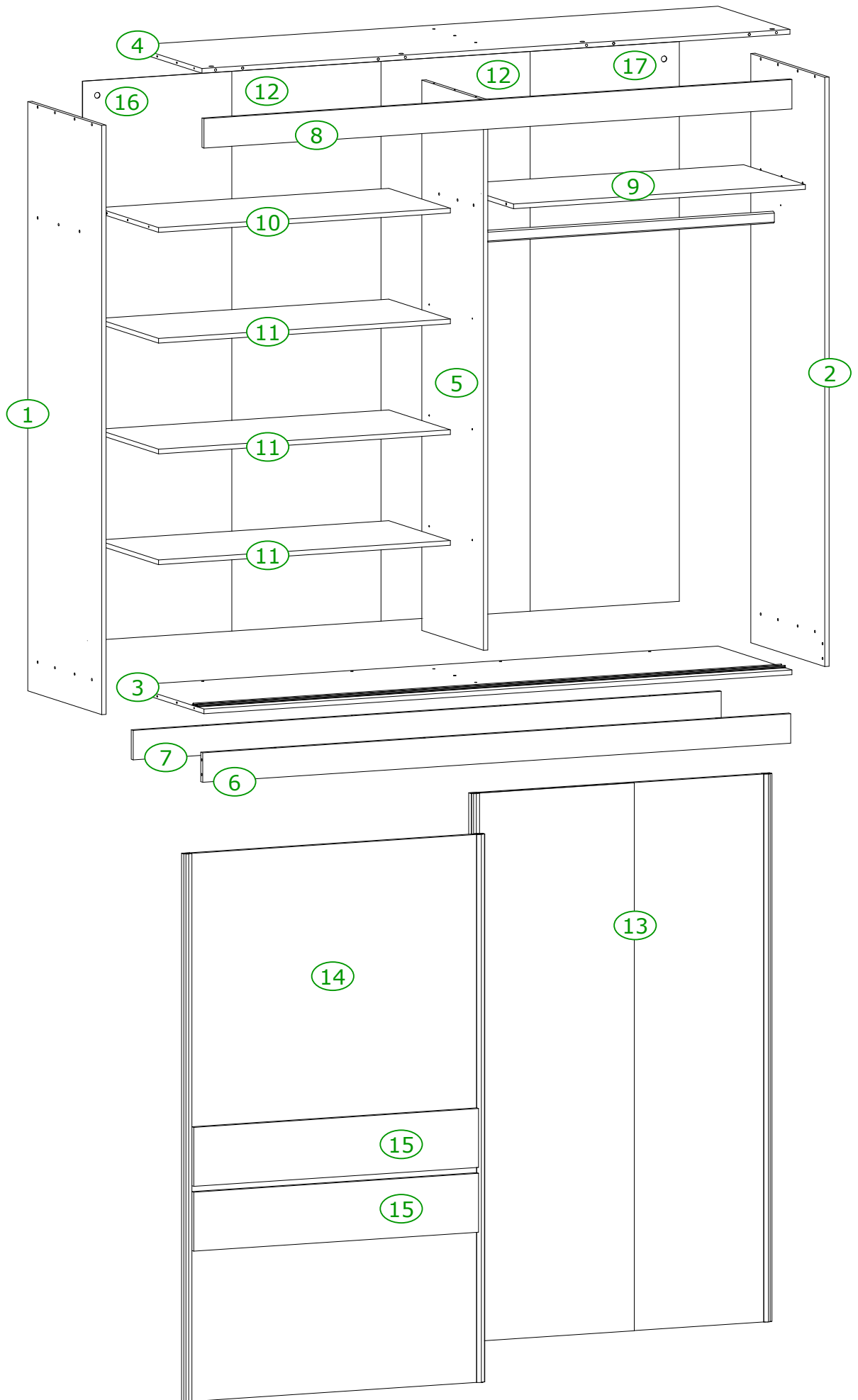
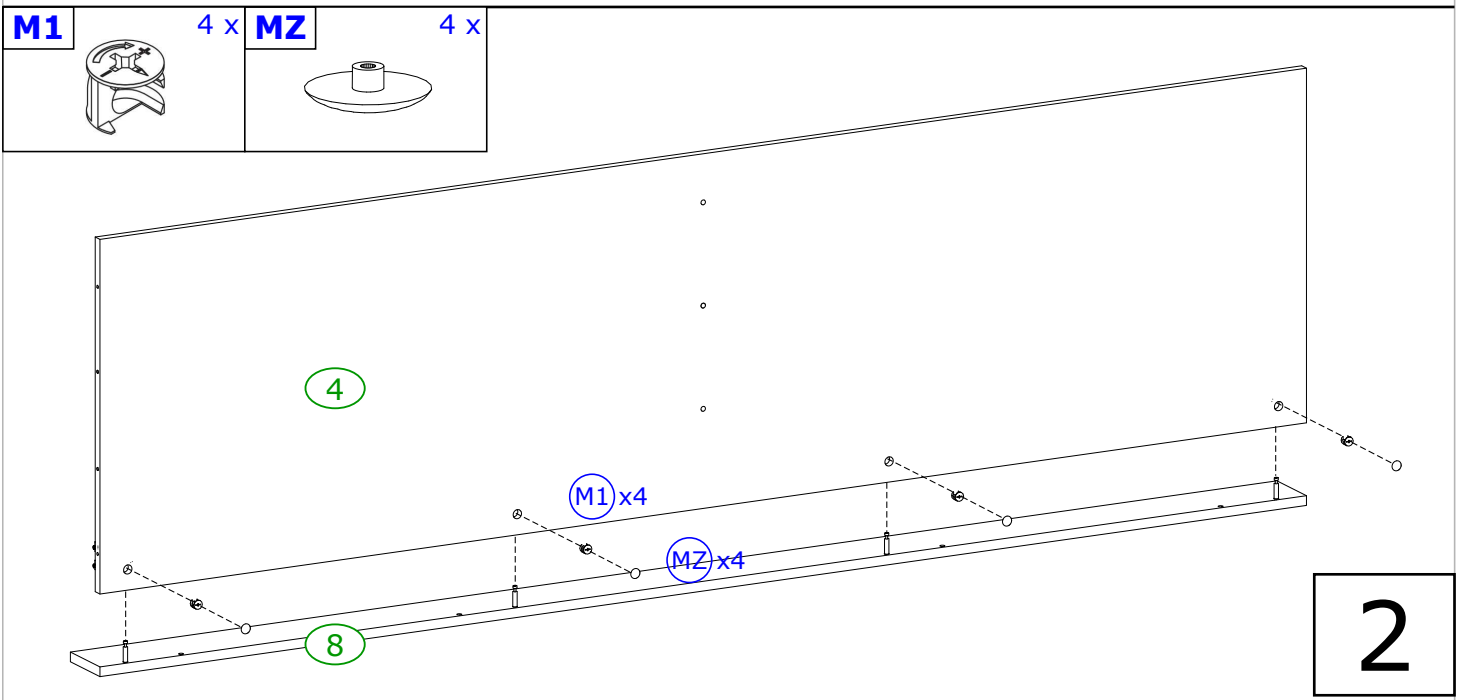
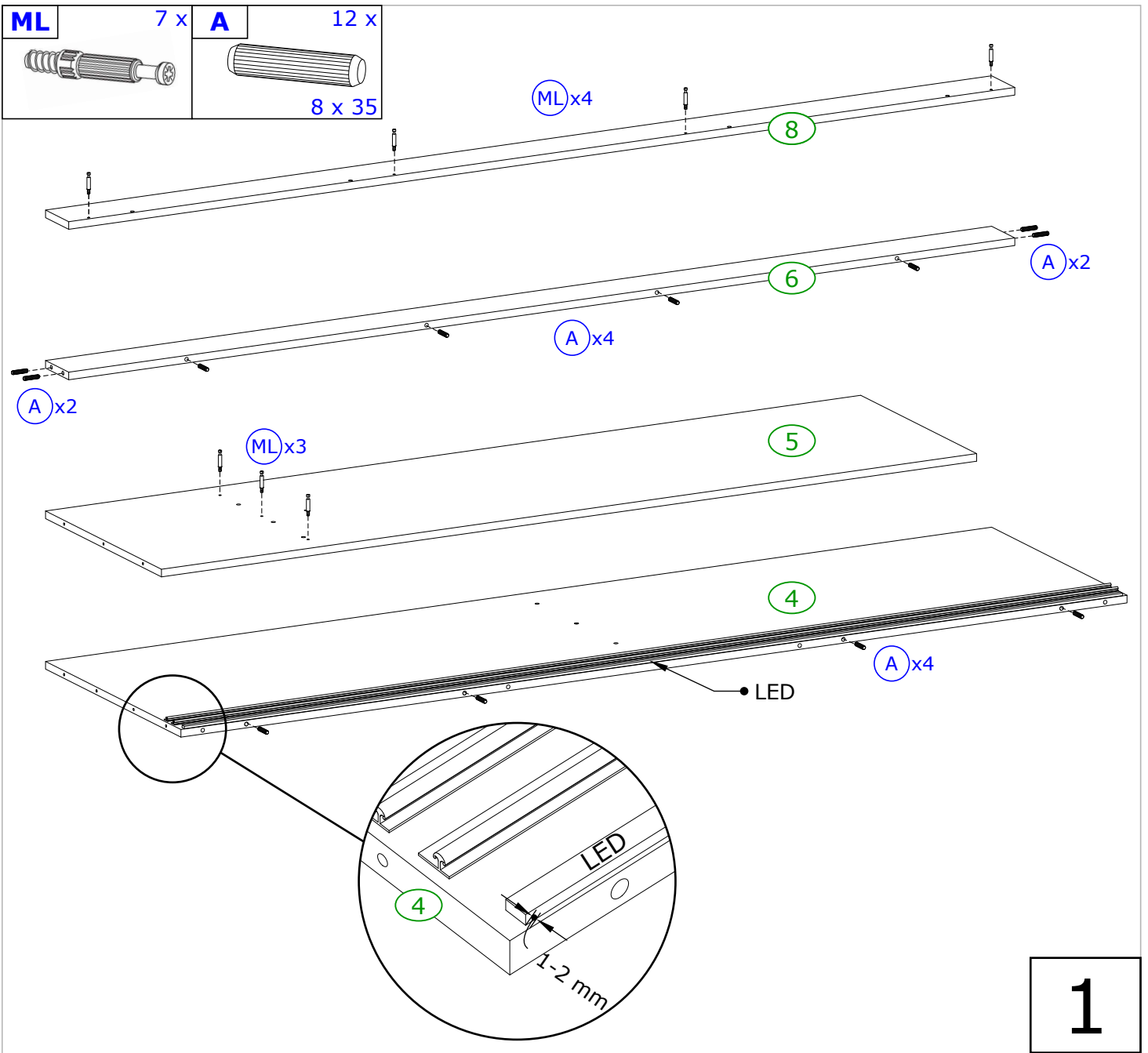


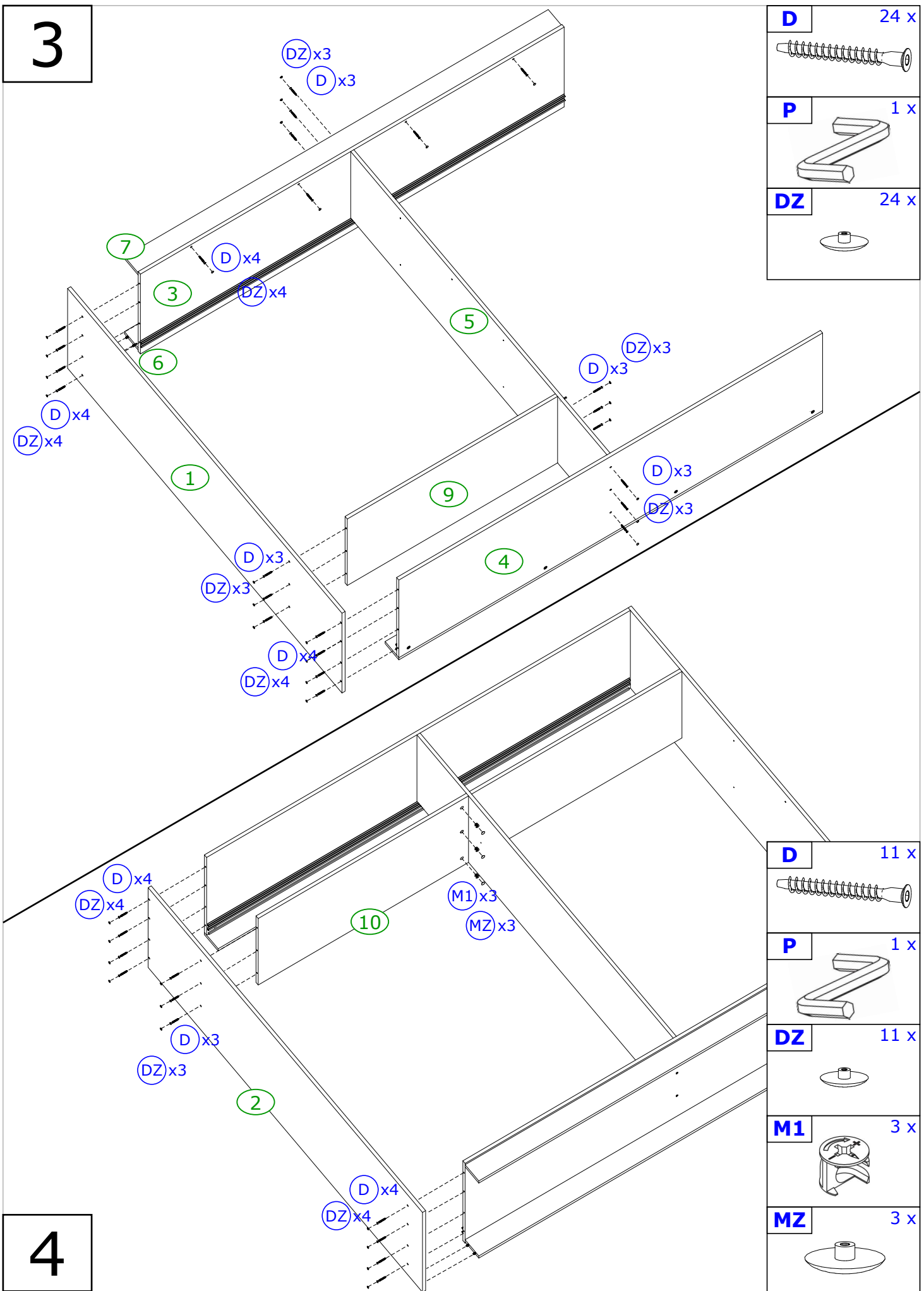
A	12 x	ML	7 x	M1	7 x	L	12 x	K	10 x	X	2 x
	8 x 35						4 x 30		3 x 25		3,5 x 16
D	35 x	P	1 x	DU	2 x	DV	1 x	E	12 x	K1	10 x
											
G	76 x	SS	6 x	SD	4 x	MZ	7 x	DZ	35 x		
											

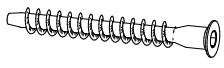
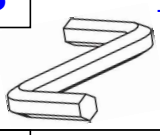
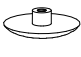


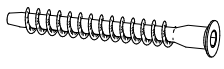
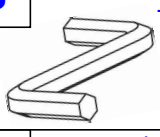


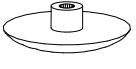




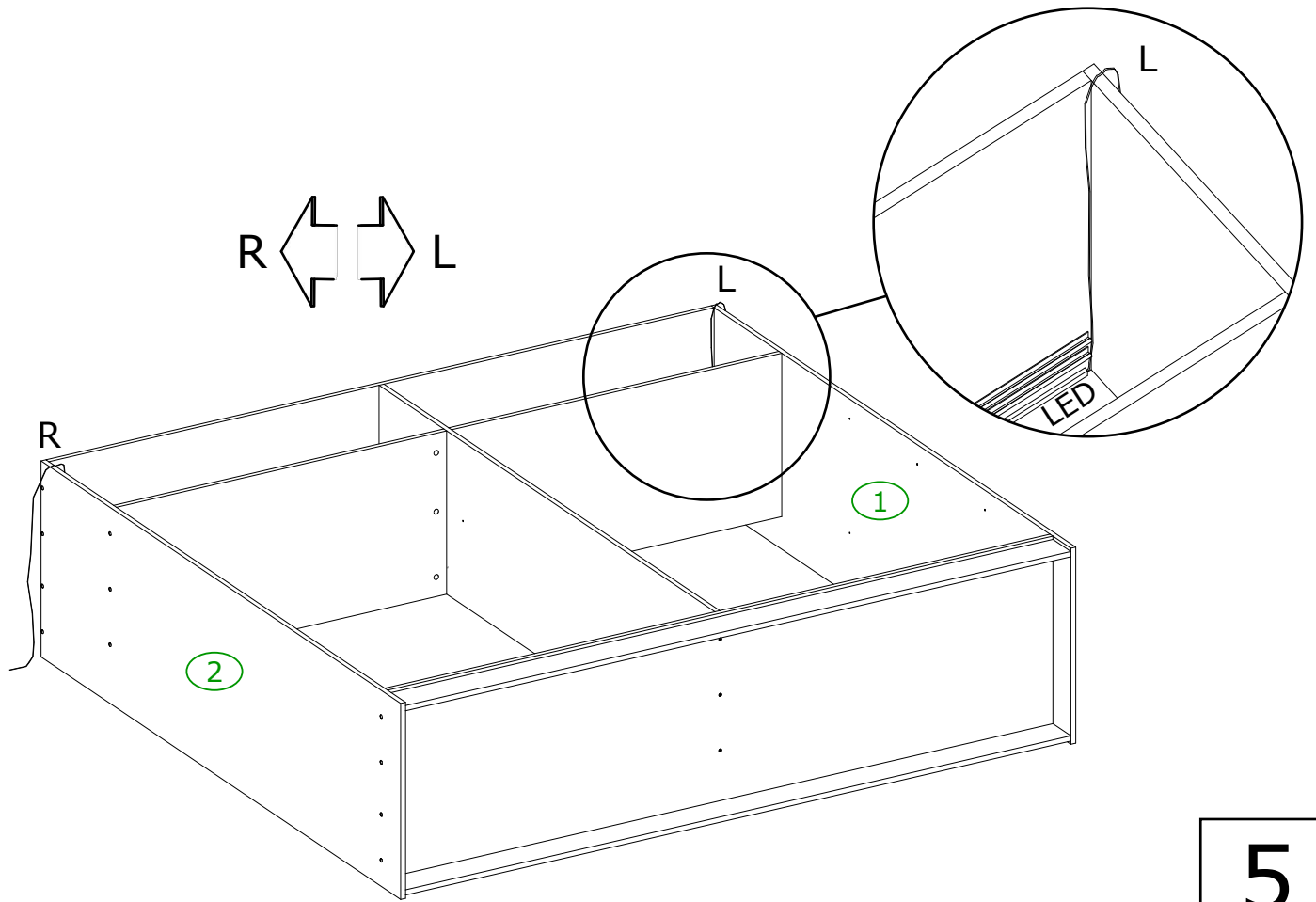
3



D	24 x
	
P	1 x
	
DZ	24 x
	

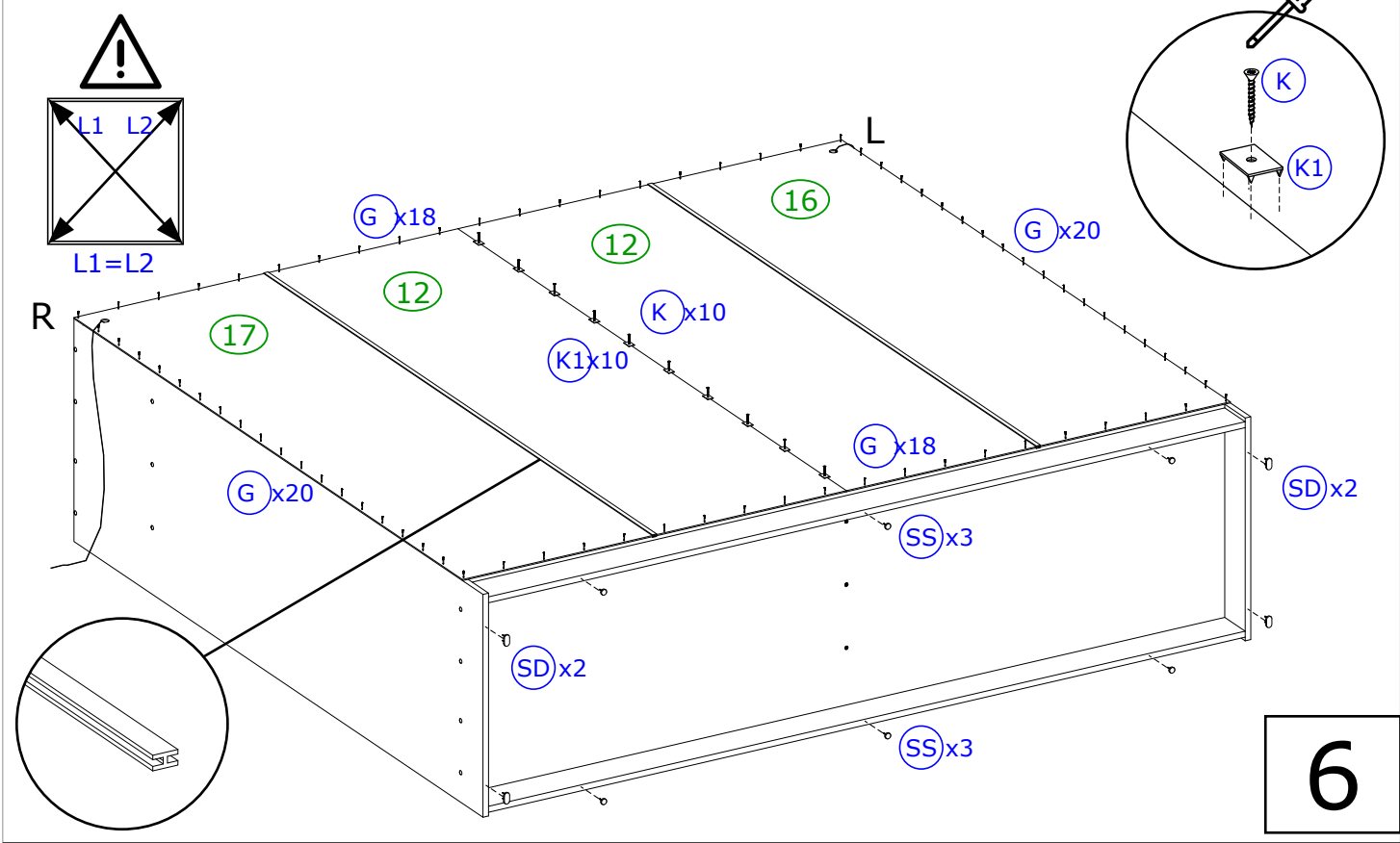
D	11 x
	
P	1 x
	
DZ	11 x
	
M1	3 x
	
MZ	3 x
	

4

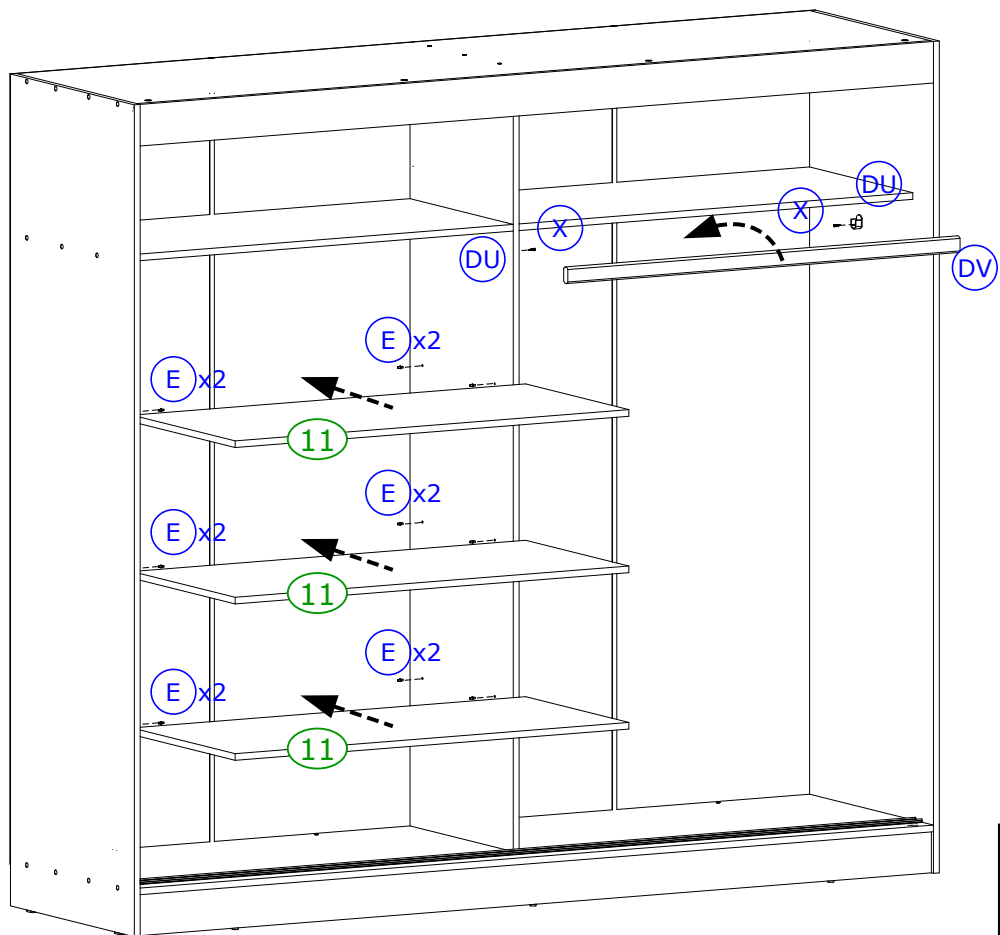
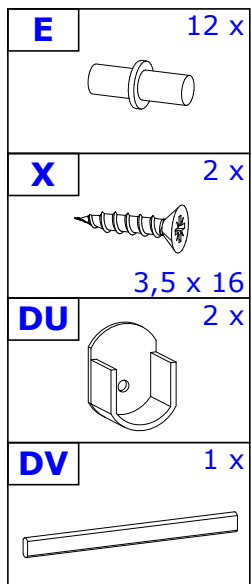


5

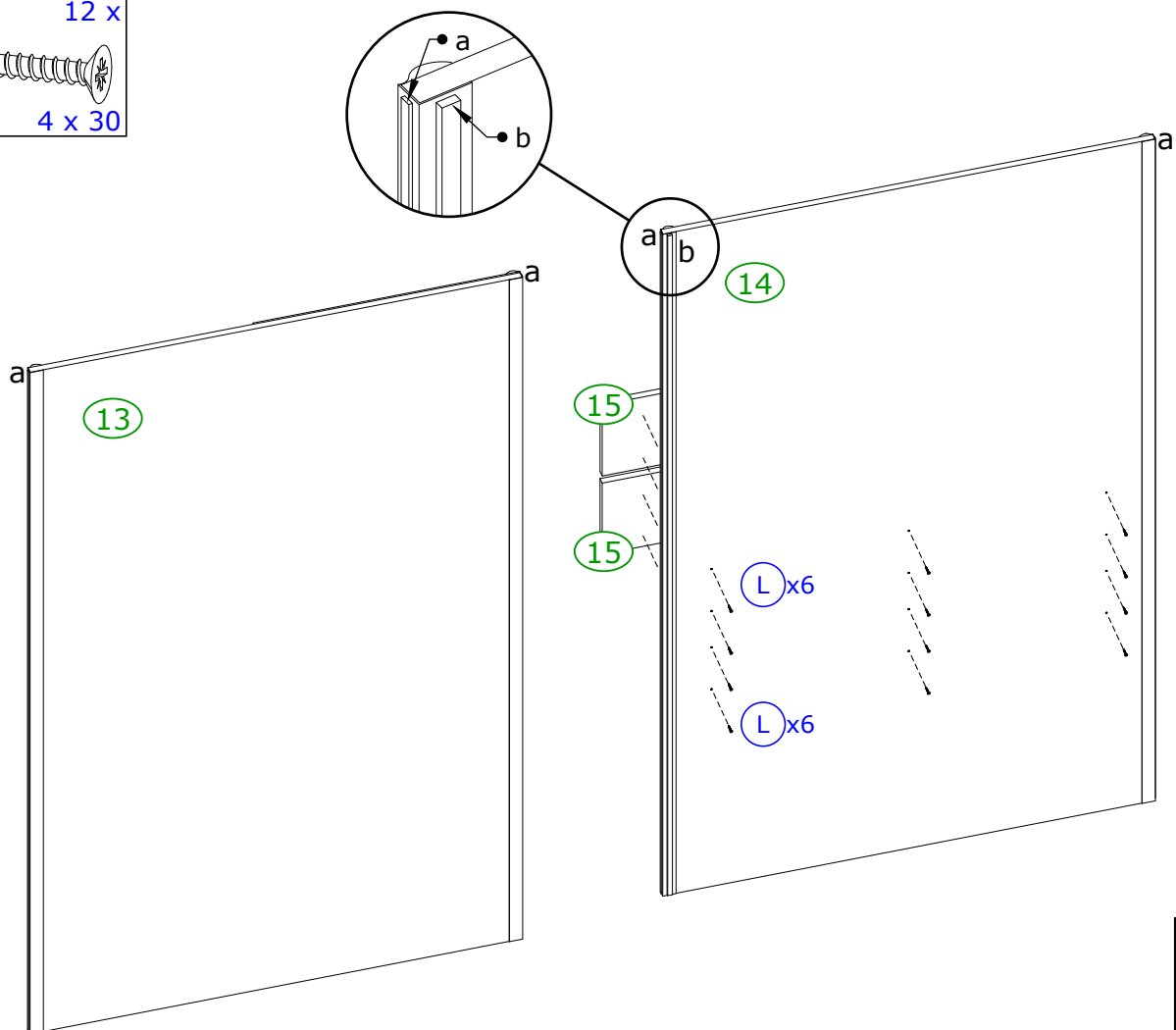
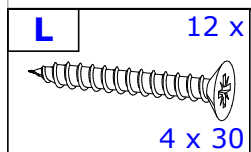
G	76 x	K1	10 x	K	10 x	SS	6 x	SD	4 x
				3 x 25					



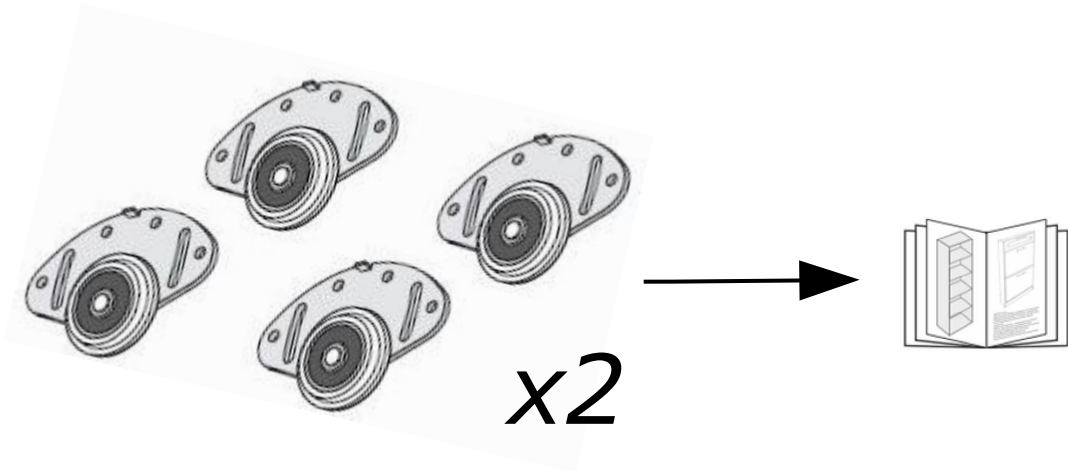
6



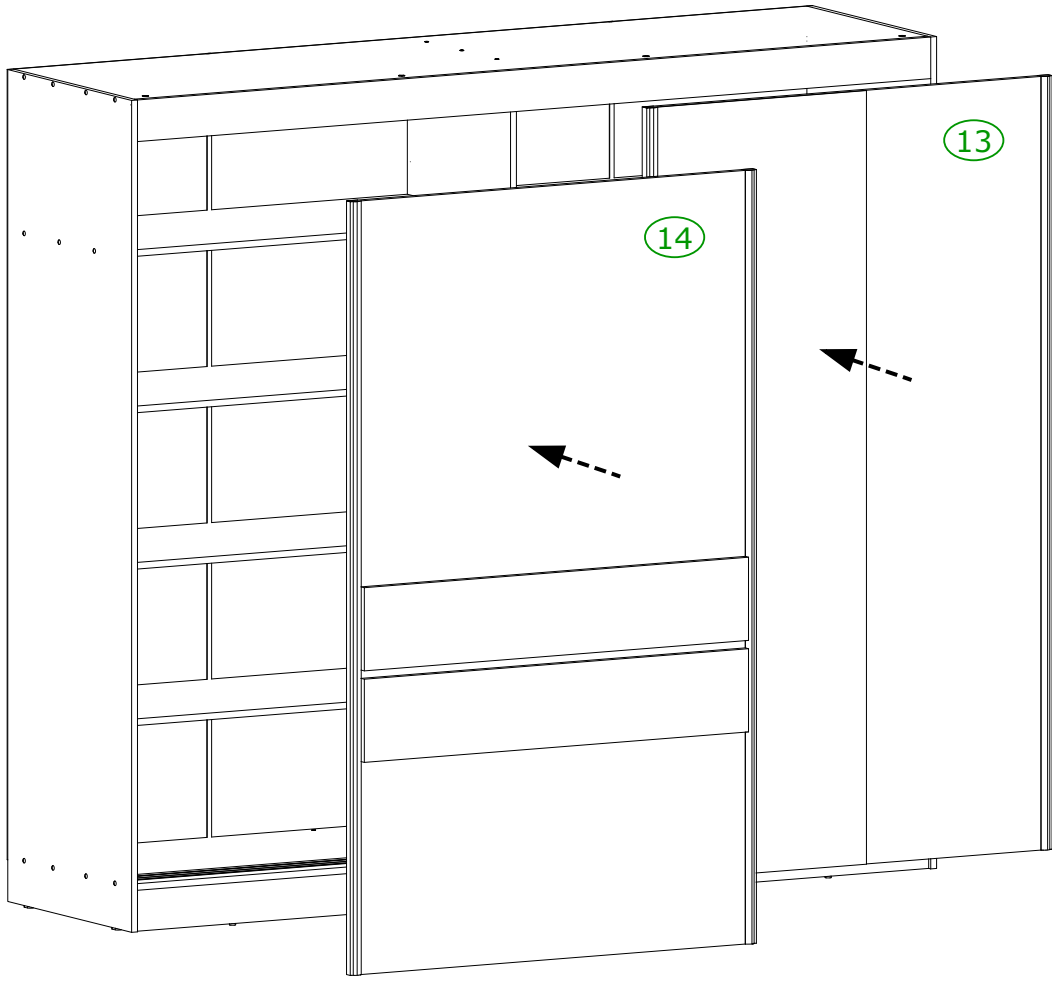
7



8



9



10